

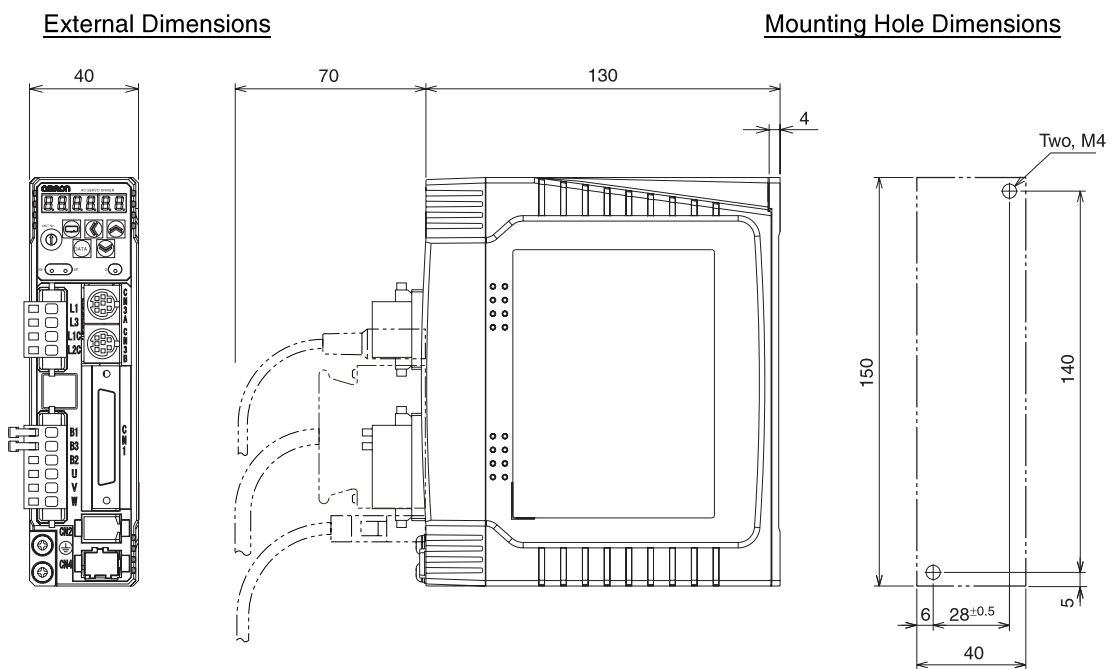
# 2-2 External and Mounting Hole Dimensions

2

## Servo Drives

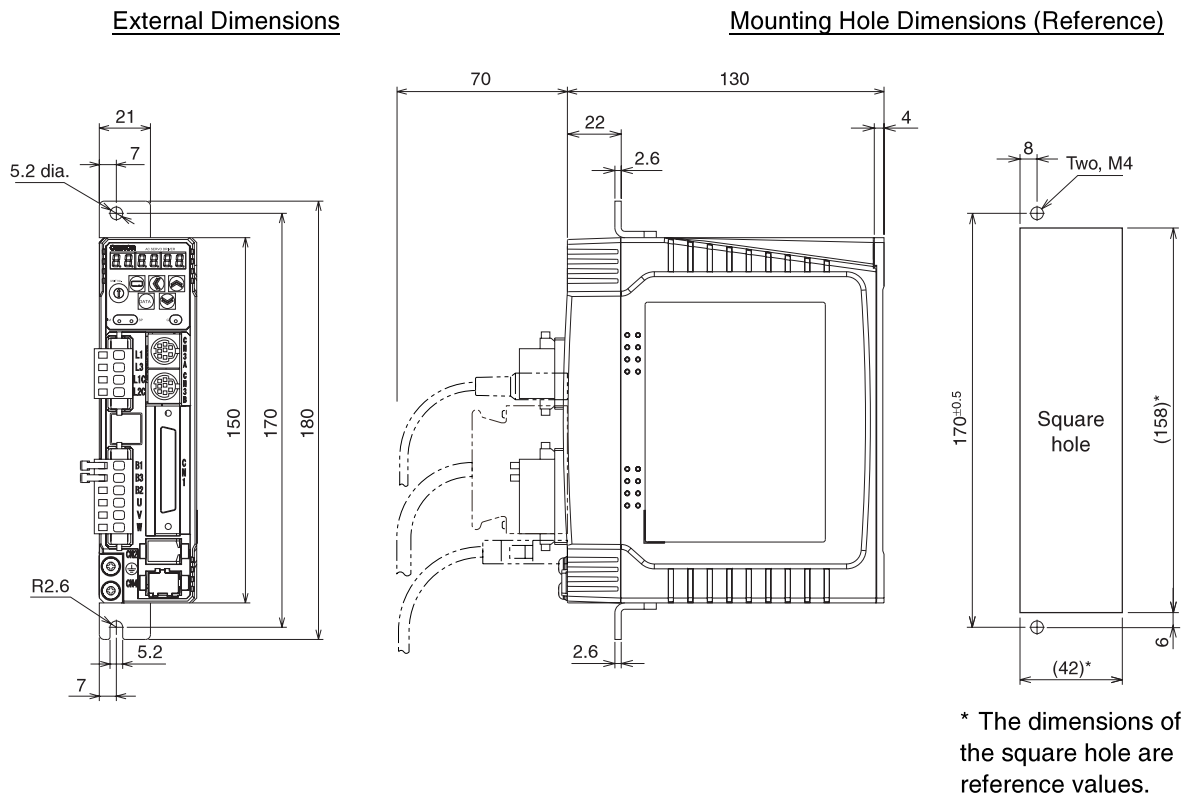
- Single-phase 100 VAC: R88D-GTA5L/-GT01L (50 to 100 W)  
Single-phase 200 VAC: R88D-GT01H/-GT02H (50 to 200 W)

### Wall Mounting



Standard Models and Dimensions

### Front Panel Mounting (Using Mounting Brackets)

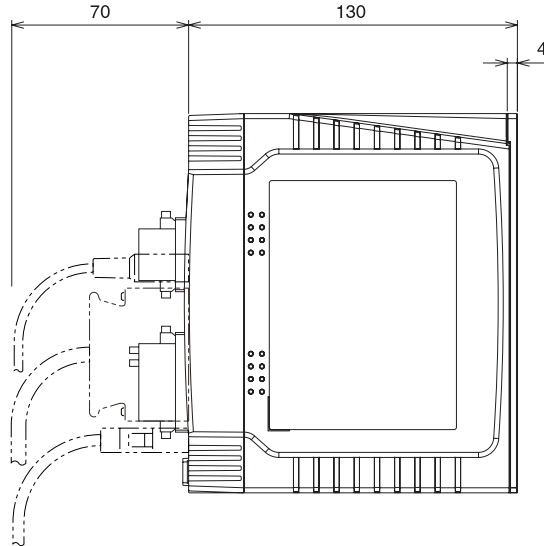
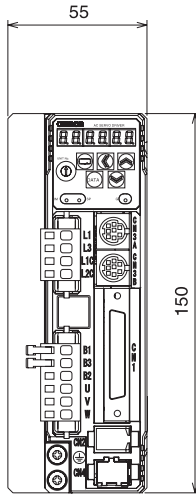


## 2-2 External and Mounting Hole Dimensions

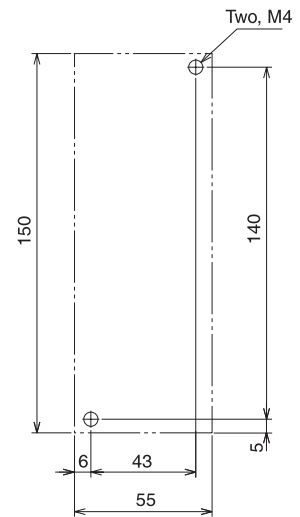
- Single-phase 100 VAC: R88D-GT02L (200 W)
- Single-phase 200 VAC: R88D-GT04H (400 W)

### Wall Mounting

External Dimensions

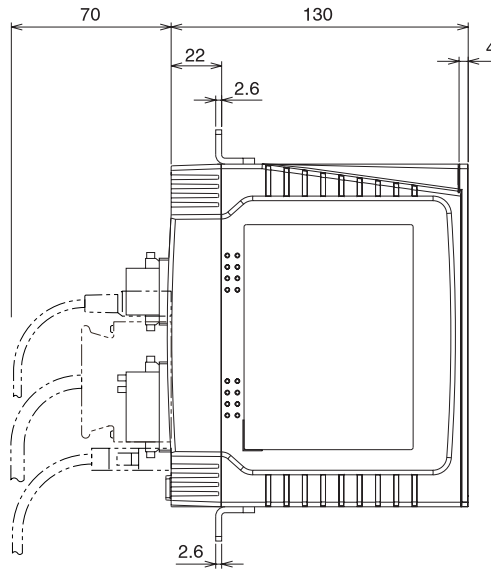
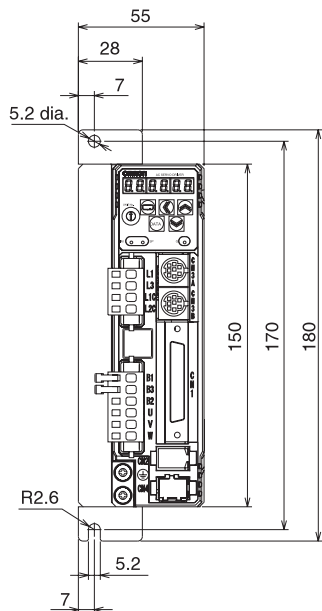


Mounting Hole Dimensions

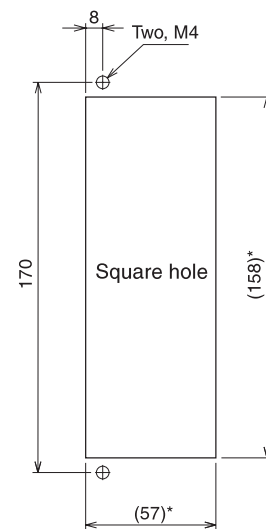


### Front Panel Mounting (Using Mounting Brackets)

External Dimensions



Mounting Hole Dimensions (Reference)

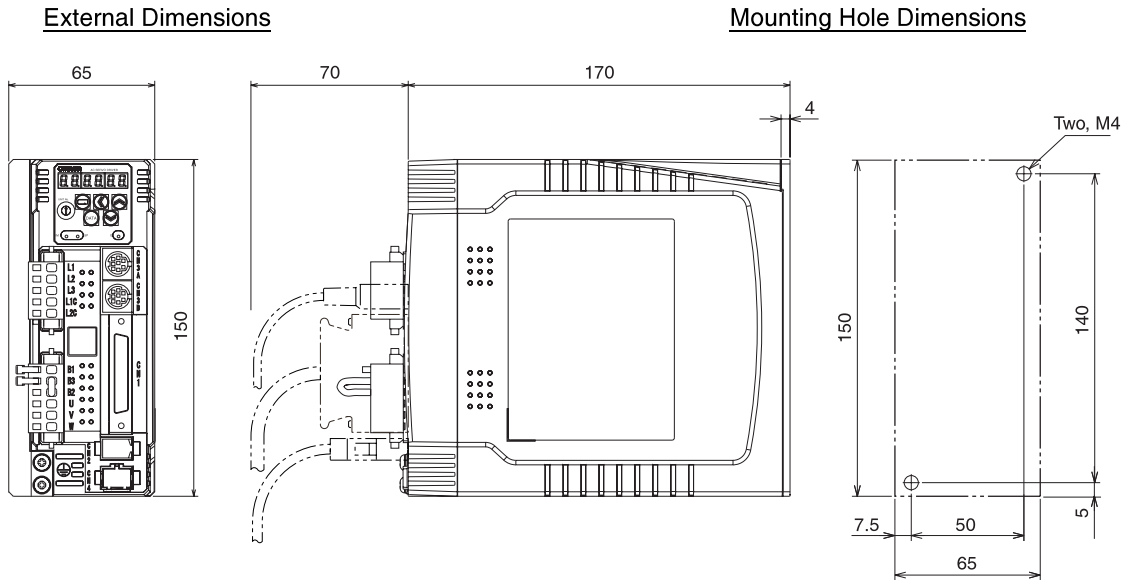


\* The dimensions of the square hole are reference values.

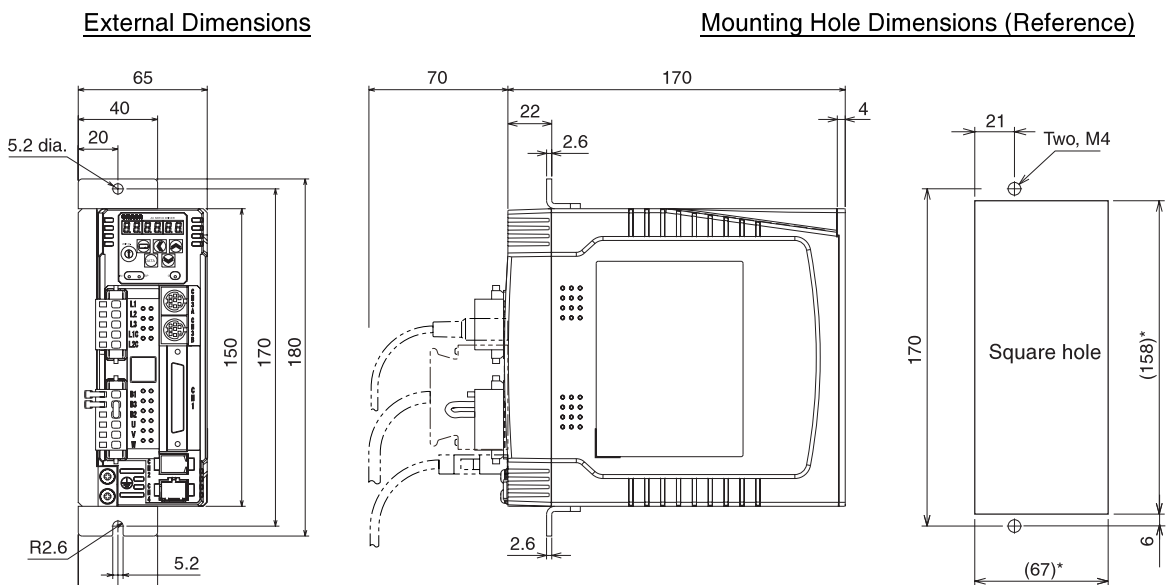
Dimensions for front panel mounting are reference values that provide leeway.

- Single-phase 100 VAC: R88D-GT04L (400 W)
- Single-phase/Three-phase 200 VAC: R88D-GT08H (750 W)

Wall Mounting



Front Panel Mounting (Using Mounting Brackets)



\* The dimensions of the square hole are reference values.

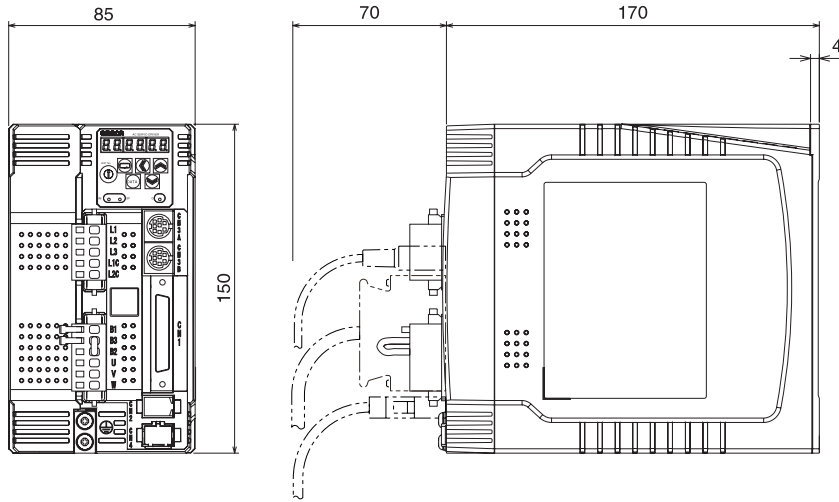
Dimensions for front panel mounting are reference values that provide leeway.

## 2-2 External and Mounting Hole Dimensions

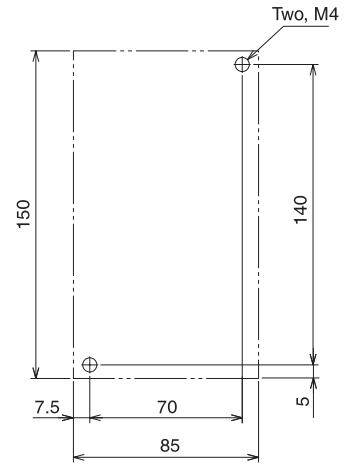
### ■ Single-phase/Three-phase 200 VAC: R88D-GT10H/-GT15H (900 W to 1.5 kW)

#### Wall Mounting

External Dimensions

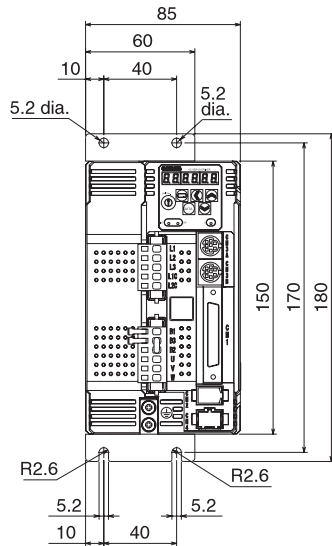


Mounting Hole Dimensions

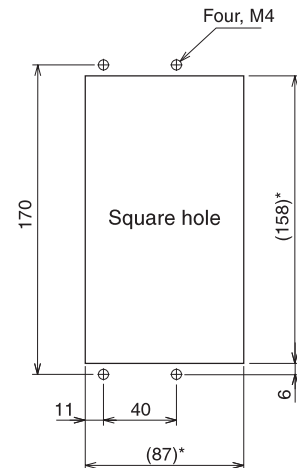


#### Front Panel Mounting (Using Mounting Brackets)

External Dimensions



Mounting Hole Dimensions (Reference)



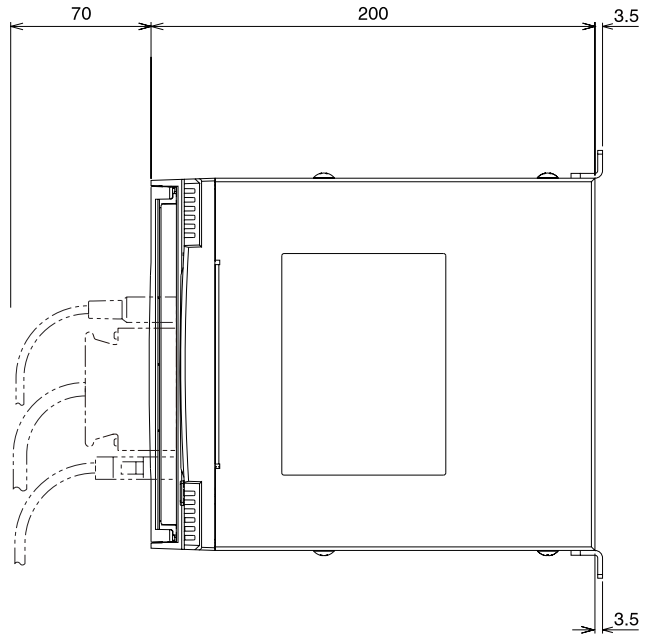
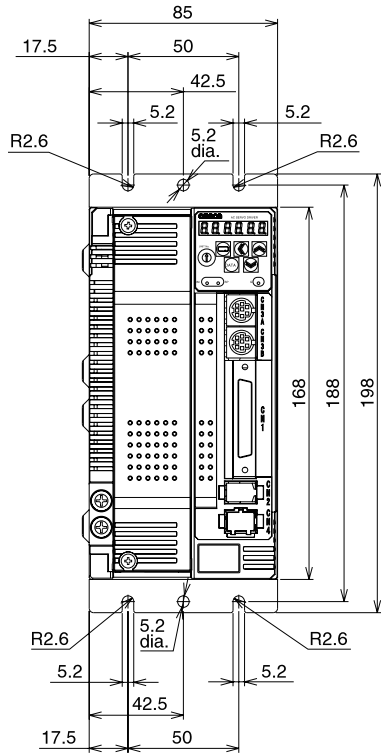
\* The dimensions of the square hole are reference values.

Dimensions for front panel mounting are reference values that provide leeway.

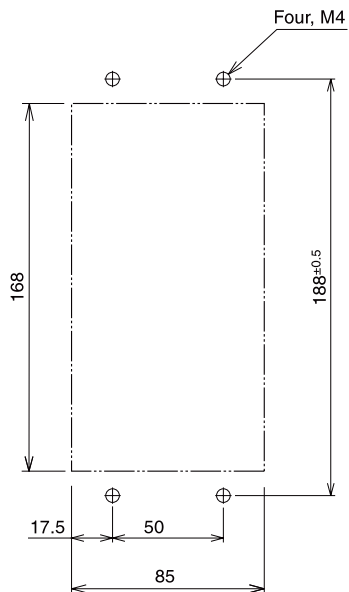
■ Three-phase 200 VAC: R88D-GT20H (2 kW)

Wall Mounting

External Dimensions



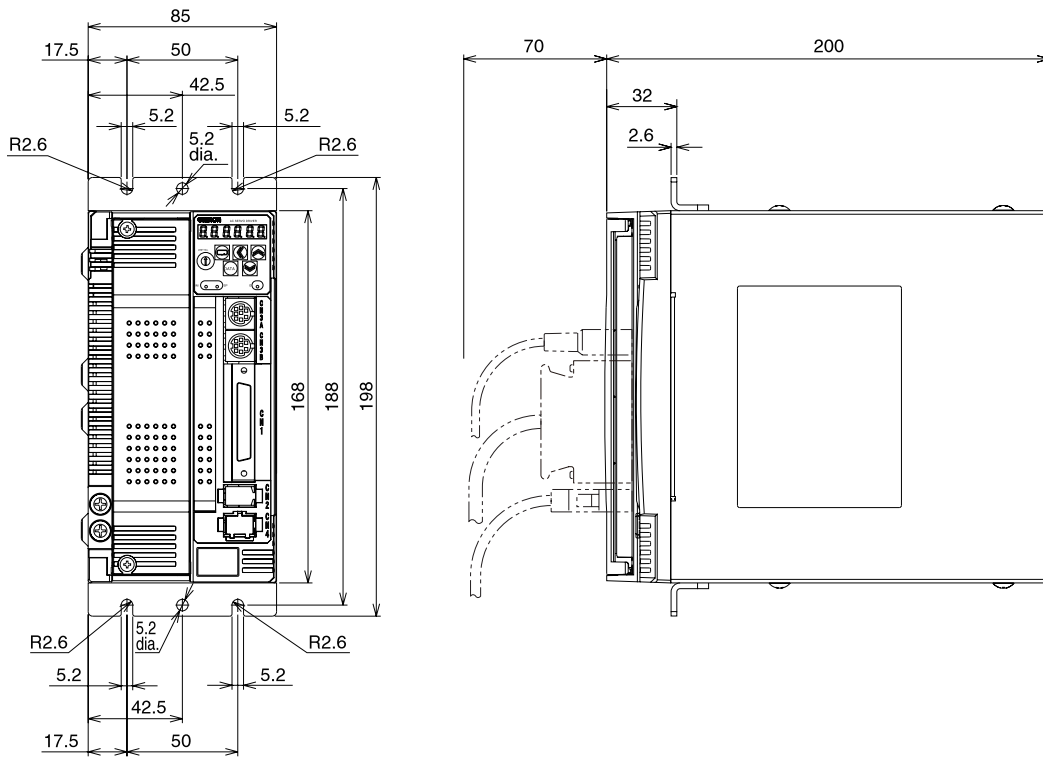
Mounting Hole Dimensions



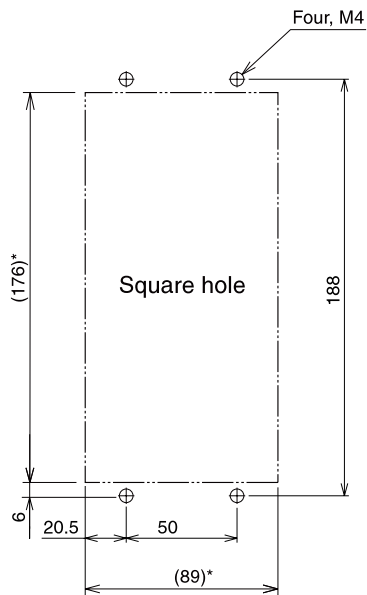
## 2-2 External and Mounting Hole Dimensions

### Front Panel Mounting (Using Mounting Brackets)

#### External Dimensions



#### Mounting Hole Dimensions (Reference)



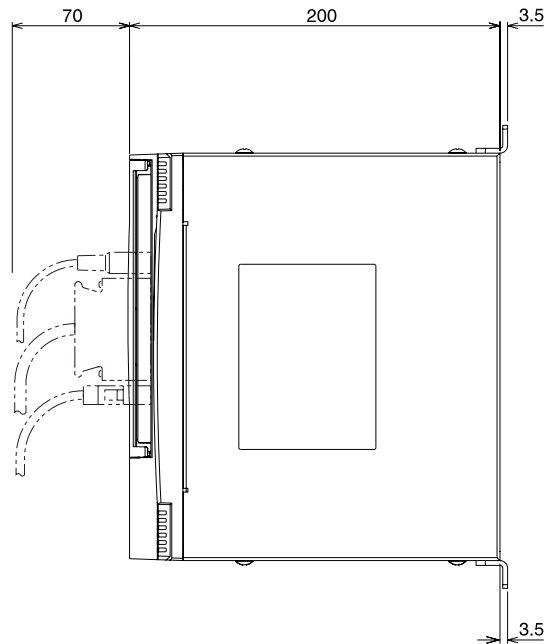
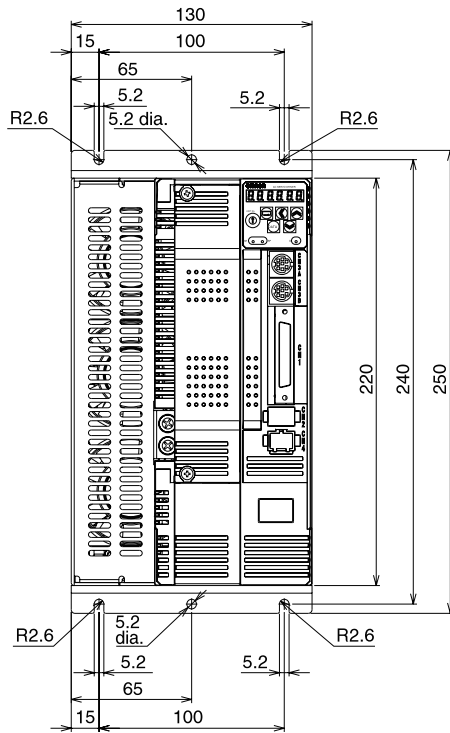
\* The dimensions of the square hole are reference values.

Dimensions for front panel mounting are reference values that provide leeway.

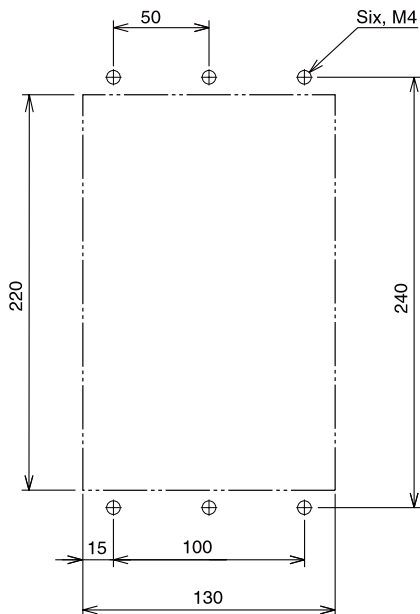
■ Three-phase 200 VAC: R88D-GT30H/-GT50H (2 to 5 kW)

Wall Mounting

External Dimensions



Mounting Hole Dimensions

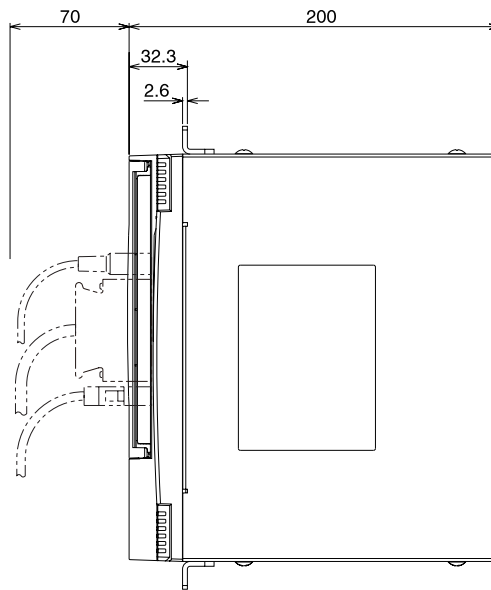
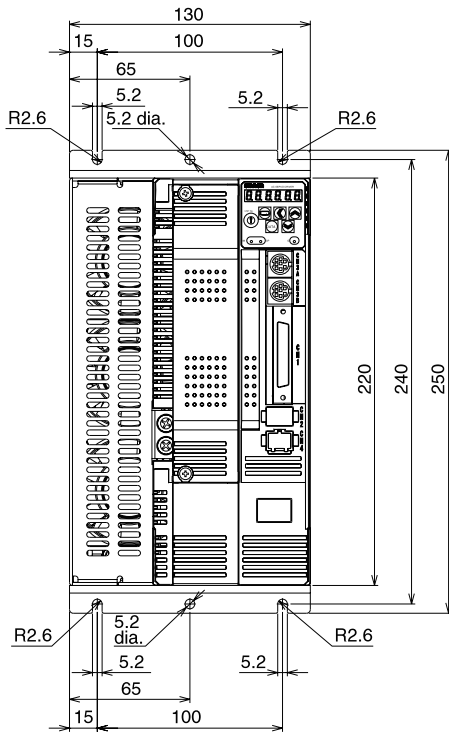




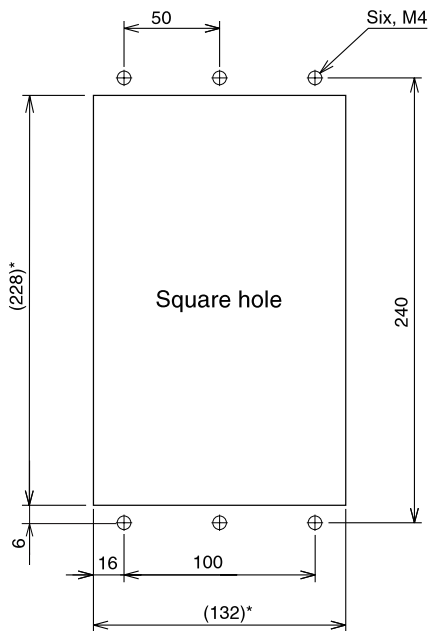
## 2-2 External and Mounting Hole Dimensions

### Front Panel Mounting (Using Mounting Brackets)

#### External Dimensions



#### Mounting Hole Dimensions (Reference)



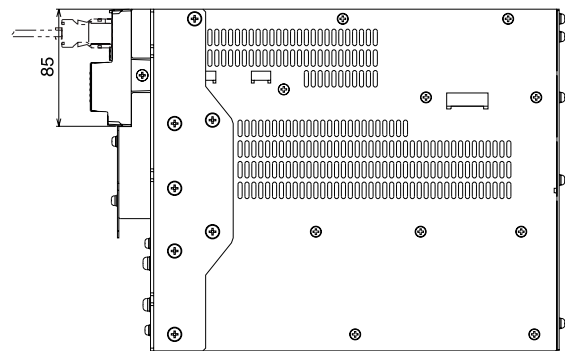
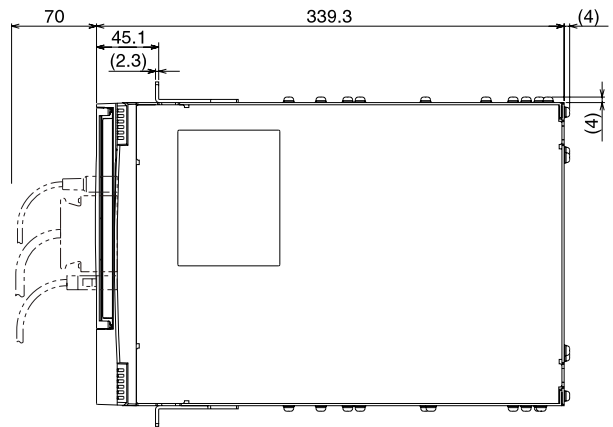
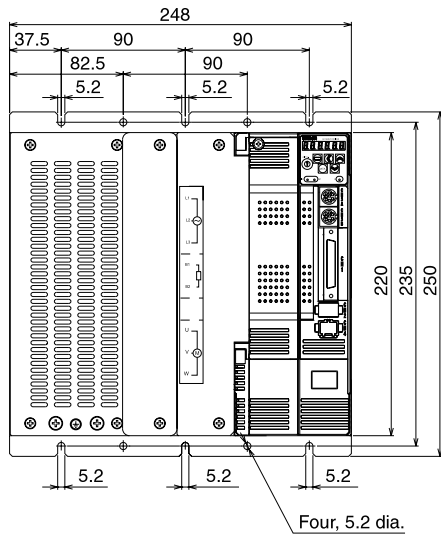
\* The dimensions of the square hole are reference values.

Dimensions for front panel mounting are reference values that provide leeway.

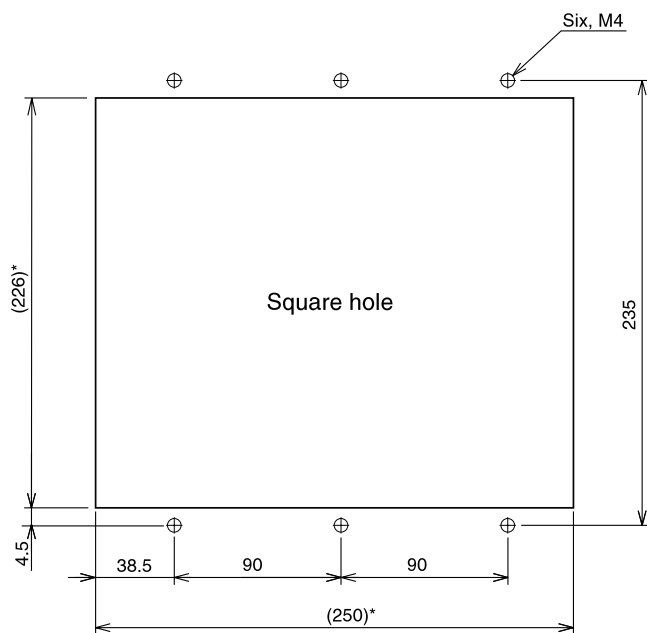
■ Three-phase 200 VAC: R88D-GT75H (7.5 kW)

Front Panel Mounting (Using Mounting Brackets)

External Dimensions



Mounting Hole Dimensions (Reference)



\* The dimensions of the square hole are reference values.

Dimensions for front panel mounting are reference values that provide leeway.